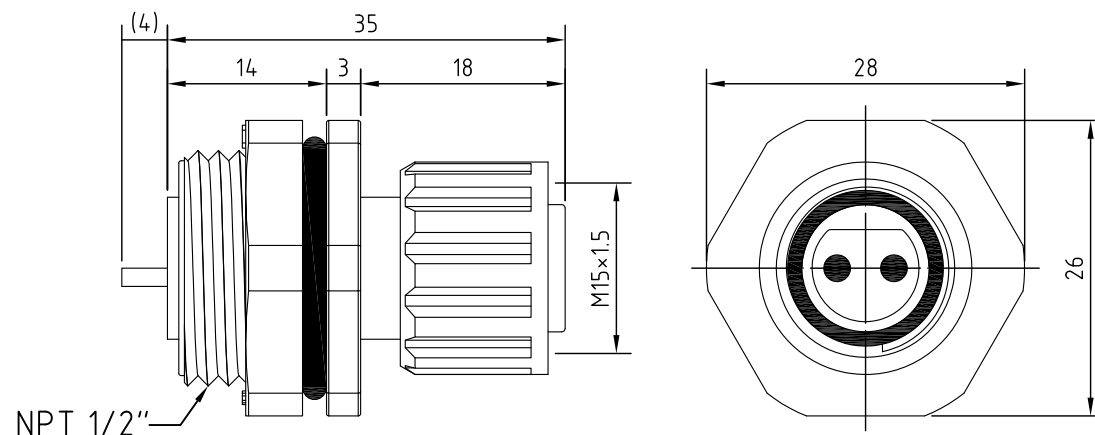


REV.	Description	Date
1	pin plated revise	2020/9/29

Specification of connector

Locking system : screw M15
 Termination : solder
 Shell protection : IP68
 Rated voltage : 250V
 Rated current : 12A
 Contact resistance : $\leq 10\text{m}\Omega$
 Insulation resistance : $\geq 10\text{M}\Omega$



6	Mold	PVC
5	Nut	PA
4	O ring	Rubber
3	Ring nut	PA
2	Pin	Brass/Gold plated
1	Housing	PA/94V-0
Item	Description	Material&Plating

RoHS
TOLERANCE X±0.5 .X±0.3



Unicable Co., Ltd. 國陽電業有限公司
 5F., No. 111-33, Sec. 4, San Ho Road., San Chung Dist., New Taipei City, Taiwan
<http://www.unicable.com.tw> Tel:+886-2-2286-2122 Fax:+886-2-2286-1010

DATE	2020/9/29	PART NO.	UT-SD224-2P-N
DWN	GINA	REV.	1
CHK			
UNIT	MM		

ITEM	Sensor Connector M15
------	----------------------